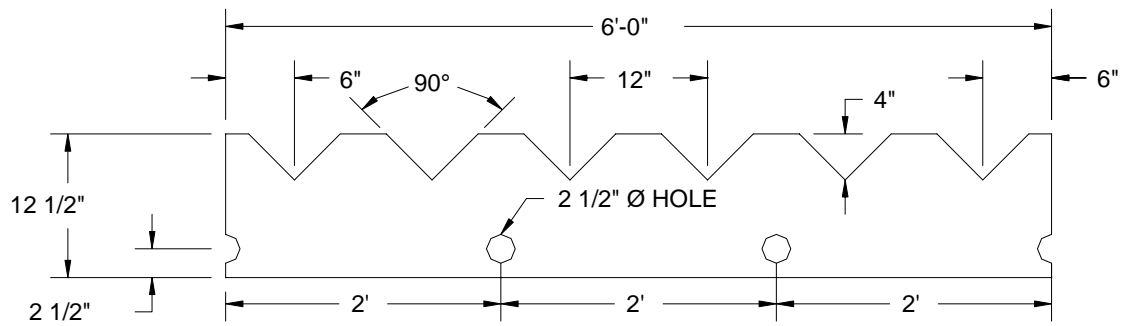


### STANDARD WEIR DETAIL

V- NOTCH CONFIGURATION: 4" DEEP 90° V-NOTCH ON 12" CENTERS  
 1/4" THK. WEIR PLATE 6 NOTCHES PER PLATE COLOR - AQUA



THIS PRINT IS THE PROPERTY OF MOLDED FIBER GLASS/WATER TREATMENT ("MFG"), AND MAY NOT BE REPRODUCED, COPIED, OR DISCLOSED TO ANY THIRD PARTY, IN WHOLE OR IN PART WITHOUT PERMISSION OF MFG, UNLESS OTHERWISE STATED IN WRITING. THE DRAWINGS AND INFORMATION CONTAINED HEREON ARE NOT BINDING ON MFG AND MFG HEREBY DISCLAIMS ALL WARRANTIES, EXPRESSED OR IMPLIED WITH RESPECT TO THE PRODUCTS AND SPECIFICATIONS WHICH ARE DEPICTED IN THIS DRAWING, INCLUDING IMPLIED WARRANTIES MERCHANTABILITY PRODUCTS AND SPECIFICATIONS WHICH ARE DEPICTED IN THE DRAWINGS, INCLUDING IMPLIED WARRANTIES MERCHANTABILITY AND FITNESS FOR PURPOSE.

REVISION REV. B	DATE 08/11/00	TITLE:  4" ON 12" 90° V-NOTCH  MOLDED WEIR DETAILS	
DWG. NO. WEIR 9	DWN BY		
PART NO.	13430		