

Rotamix System Components



The Rotamix System Nozzle Assemblies

The Rotamix system uses fixed nozzle assemblies. Once the nozzle assembly is installed, the nozzles are adjusted to the factory specified angle, and permanently tightened. No additional adjustment is required.

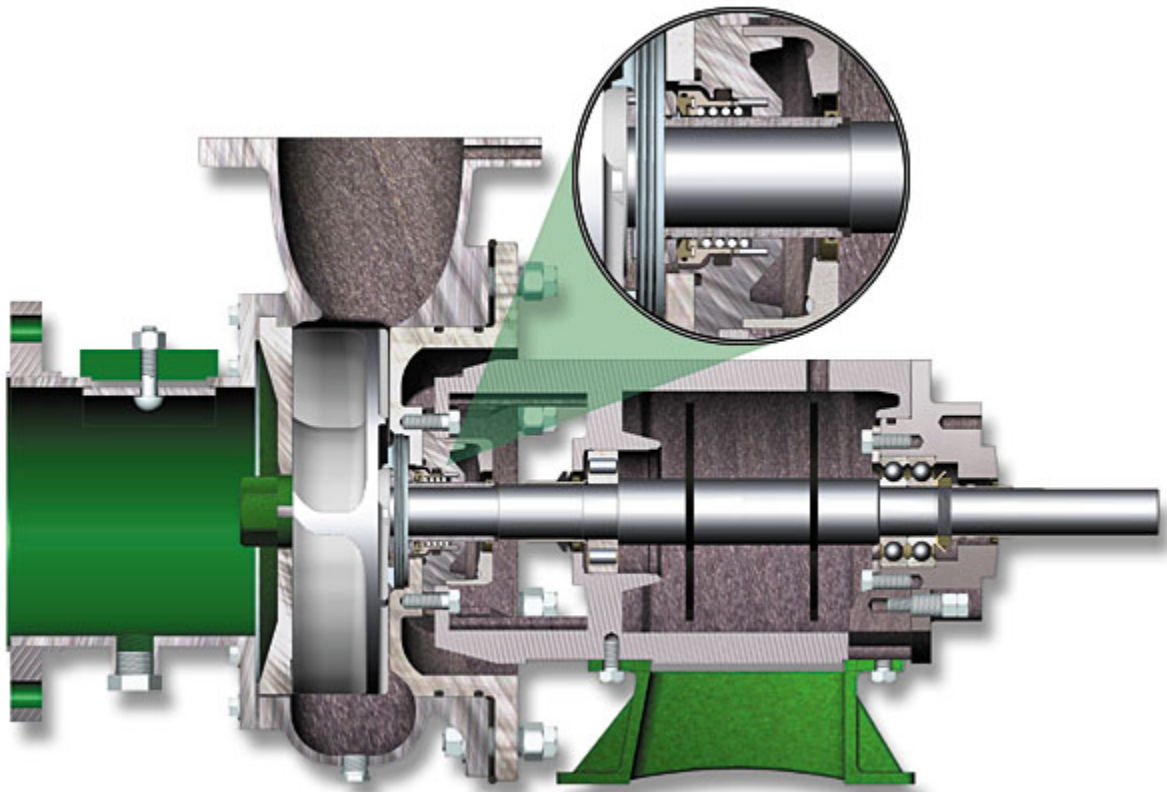
Nozzle assemblies are offered in single and double nozzle (patent pending) configurations, depending on tank diameter and depth. All fittings are ductile cast iron and glass-lined for abrasion resistance, reduced friction, and to eliminate Struvite adhesion. The tapered nozzle barrels are 1-inch thickness for long-term wear protection. The entire assembly is white metal sandblasted, and then powder coated with 3M™ Scotchkote™ Fusion Bonded Epoxy Coating, a one-part, heat-curable, thermosetting epoxy coating for superior surface protection. Each nozzle assembly includes a 10-year full warranty.

The Vaughan® Chopper Pump

Vaughan's chopper pump is the heart of the Rotamix system. Vaughan's proven technology over the past 45 years provides long-term low maintenance, and the highest reliability of any chopper pump. Continuously chopped solids not only eliminate nozzle clogging, but enhance sludge quality. Digester efficiency is increased by further reducing solids size and increasing surface contact. Vaughan's unique features necessary to provide this reliability include:

- ✓ Patented chopping design eliminates nozzle clogging
- ✓ Wear parts heat treated to 60+ Rockwell C Hardness extends pump life
- ✓ Oversized shafting and bearings extends pump life
- ✓ Heavy duty "flushless" mechanical seal (other seal designs available) assures leak-free operation
- ✓ Back pull-out design allows adjustment of all cutting clearances without disconnecting suction or discharge piping

Other configurations available include vertical dry pit, submersible, self-priming, vertical wet well, and recirculating pumps. All Vaughan pumps include a written [Performance Guarantee](#), your assurance of clog-free pump operation.



Vaughan Horizontal End Suction Chopper Pump