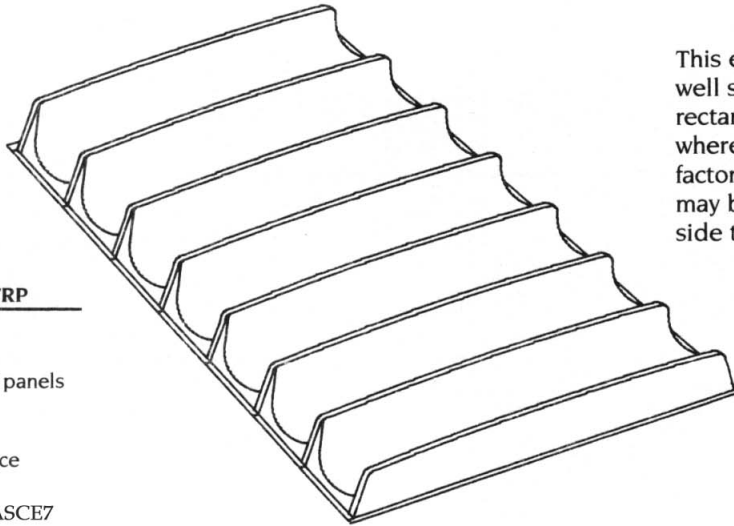


# FIBERGLASS REINFORCED PLASTIC (FRP)

## SCALLOPED FLAT COVER SYSTEM



This enclosure system is well suited for larger rectangular tank openings where clearance is not a factor and the foundation may be limited in carrying side thrust.

### BENEFITS OF FRP

Non-corrosive  
 Self-supporting  
 Minimum number of panels  
 Ease of erection  
 Non-conductive  
 Minimum Maintenance

Basic Design is per ASCE7

### DESIGN GUIDE

Rib Height	4' ±
Spans	30' - 50'

FRP is most advantageous in meeting structural requirements in hostile environments. SynTechnics free-spanning scalloped flat covers are structurally designed to handle appropriate live, wind, and unbalanced loading conditions. Various accessories such as windows, duct connections, vents, personnel doors and equipment hatches are readily available, sized to meet operating conditions.

SynTechnics offers a variety of structural enclosures for applications ranging from weather protection to odor control. SynTechnics designs are available for both standard and customized structural systems based on customer requirements. These systems provide durable monolithic members which complement field erection procedures and structural integrity.

### TYPICAL DETAILS

1. Laminate thickness and fiberglass reinforcing type to be determined by exact loading conditions.
2. The panels are joined by an interlocking weathertight joint and can be adapted with a compatible gasket for limiting air transfer.
3. Stainless Steel anchor bolts are recommended.
4. Panels are fabricated in shipable lengths.

SynTechnics actively solicits inquiries on special requirements. The SynTechnics organization is geared to design and manufacture FRP custom structural systems where the material has a cost effective benefit versus other materials. SynTechnics' experienced engineering staff is well versed in structural analysis of FRP structures.

